

LIGHT NON WALK-IN RESCUE



Available on a variety of commercial chassis.



Stainless steel brush guard with winch.

CLASSICFIRE™ SERIES LIGHT NON WALK-IN RESCUE

The E-ONE Light Non Walk-In Rescue is the ideal apparatus for responding to EMS calls.

This light rescue offers two compartment configurations with standard roll-up doors. The most popular design is the 6-door vertical layout shown above and to the left. An 8-door configuration is also available and places two compartments in front of the wheel wells on each side.

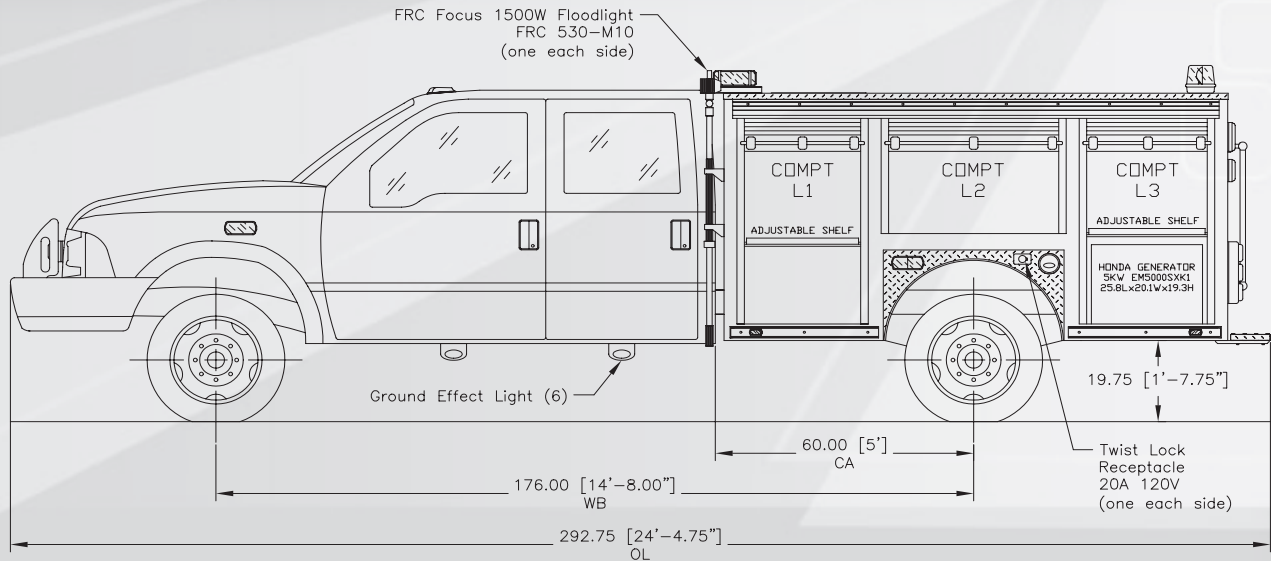
Pull-out tool boards and roll-out trays maintain organization while storing all the necessary first response and advanced life-saving equipment.

Arrive prepared with the E-ONE Light Non Walk-In Rescue.

- Corrosion-resistant extruded-aluminum body
- Quick access roll-up doors
- Spacious compartments
- Large rear compartment
- Optional pull-out tool boards and roll-out trays



LIGHT NON WALK-IN RESCUE



STANDARD OPTIONS

CHASSIS:

- Ford® F-550 4-door
- 17500-lb. GVWR
- 4x2
- 6.0 L diesel engine
- 5-speed automatic transmission

BODY:

- Corrosion-resistant extruded-aluminum body
- Spacious compartments
- Quick access roll-up doors
- Adjustable and roll-out shelving
- Large open rear compartment for tactical kits



POPULAR OPTIONS

- Extended Cab or 2-door
- GMC® 5500
- Bumper extension
- Generators
- Scene lights
- Transverse compartment
- Panel doors
- SS wheel covers
- Running boards
- Brush guards



For a dealer nearest you contact us at www.e-one.com or call 352.237.1122.

A Subsidiary of Federal Signal Corporation.
©2007 E-ONE, Inc. 701-03-306

WHEN LIVES ARE IN THE BALANCE AND SECONDS COUNT