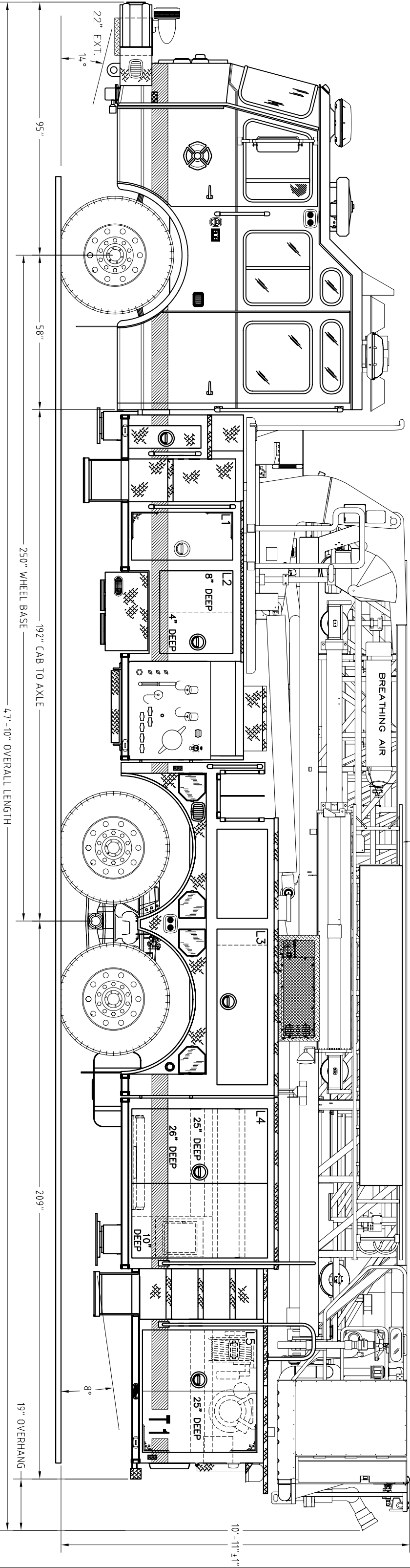
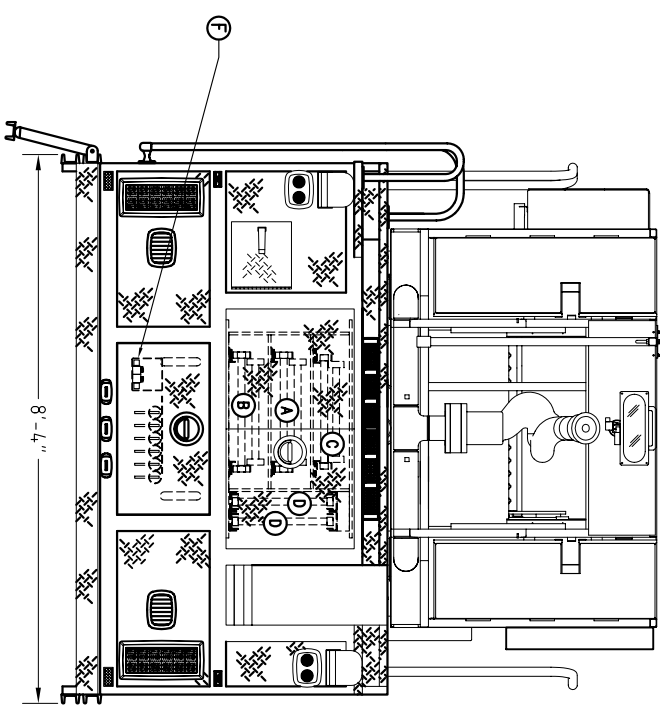


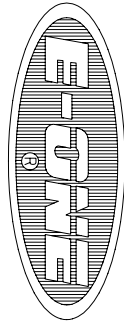
# HP95 Mid Mount

S0.000000  
 L193 AERIAL BODY  
 H713 CYCLONE II CHASSIS  
 L397 AERIAL LADDER

270 GALLON WATER TANK		HOSE/LOAD:	
2000 G.P.M. HALF BRGR PUMP		300' OF 5" HI VOL. RBRB HOSE	
ALL ALUMINUM CONSTRUCTION			
COMP.T.	OPENING	INTERIOR DIMENSION	
L1	18W 38H	OIL RESEVOIR	
L2	31W 27H	31W	27H NOTED
L3	58W 19H	58W	19H 25D
L4	56W 51H	56W	20H 25D UPPER
L5	46W 43H	46W	27H NOTED LOWER
R1	18W 38H	18W	23H 26D LOWER
R2	31W 27H	31W	38H 20D
R3	58W 19H	58W	27H NOTED
R4	56W 51H	56W	19H 10D UPPER
R5	19W 43H	19W	28H NOTED LOWER
R6	46W 43H	46W	18H NOTED LOWER
		46W	15H 10D UPPER
		46W	18H NOTED LOWER

GROUND LADDERS			
ITEM	LADDER LENGTH	MODEL NUMBER	QTY
A	35' 2-SECT.	PEL-35	1
B	28' 2-SECT.	PEL-28	1
C	24' 2-SECT.	PEL-24	1
D	16' ROOF	PRL-16	2
E	14' ROOF	PRL-14	1
F	10' FOLDING	FL-10	1





# HP95 Mid Mount

S0.000000  
L193 AERIAL BODY  
H713 CYCLONE II CHASSIS  
L397 AERIAL LADDER

