



HP100 Aerial

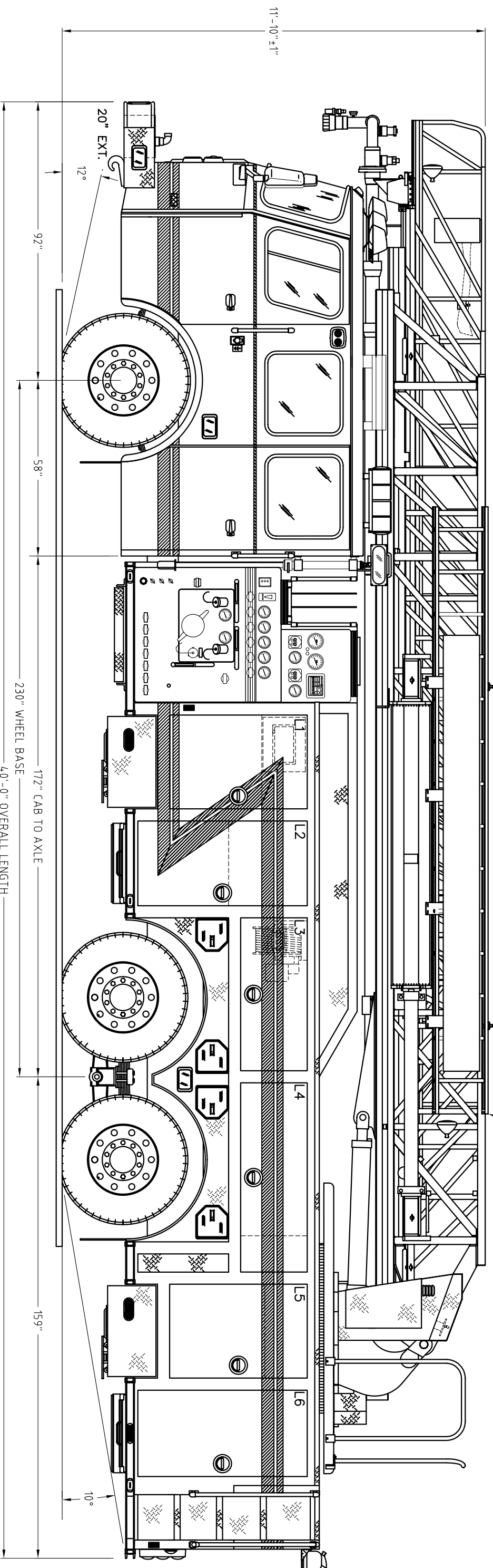
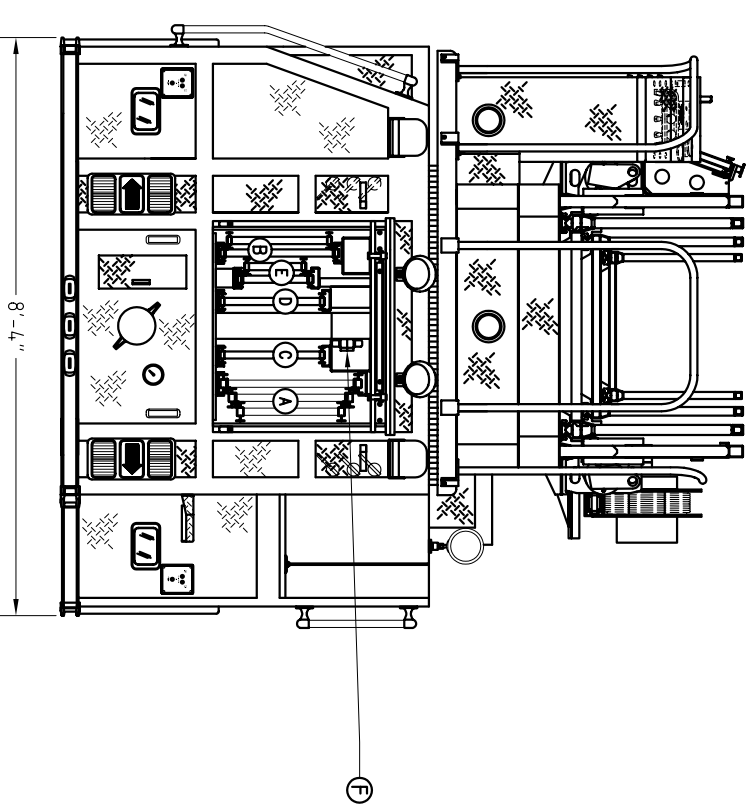
S.O.000000

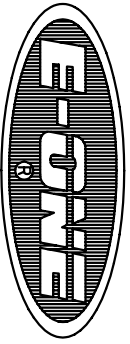
K305 AERIAL BODY
 H571 CYCLONE II CHASSIS
 K302 HP100 AERIAL LADDER

2000 G.P.M. HALE QMAX PUMP		HOSE LOAD:	
500 GALLON WATER TANK		STANDARD	
ALL ALUMINUM CONSTRUCTION			
COMPT.	OPENING	INTERIOR DIMENSION	
L1/R1	31W	31W	14H
		31W	31H
		28W	20H
		28W	20H
		28W	20H
		28W	20H
L2/R2	28W	28W	20H
		28W	20H
		28W	20H
		28W	20H
		28W	20H
		28W	20H
L3	50W	50W	22H
		50W	22H
		50W	22H
		50W	22H
		50W	22H
		50W	22H
R3	31W	31W	19H
		31W	19H
		31W	19H
		31W	19H
		31W	19H
		31W	19H
L4	62W	62W	22H
		62W	22H
		62W	22H
		62W	22H
		62W	22H
		62W	22H
R4	28W	28W	30H
		28W	30H
		28W	30H
		28W	30H
		28W	30H
		28W	30H
L5	31W	31W	14H
		31W	31H
		28W	15H
		28W	15H
		28W	15H
		28W	15H
		28W	15H
L6	28W	28W	41H
		28W	41H
		28W	41H
		28W	41H
		28W	41H
		28W	41H

GROUND LADDERS			
ITEM	LADDER LENGTH	MODEL NUMBER	QTY
A	35' 3-SECT.	PEL-3-35	1
B	24' 2-SECT.	PEL-24	1
C	16' ROOF	PRL-16	2
D	14' ROOF	PRL-14	1
E	12' 2-SECT.	AEI-12	1
F	10' FOLDING	FL-10	1

ONE ON AERIAL





HP100 Aerial

S.O.000000
KS05 AERIAL BODY
H571 CYCLONE II CHASSIS
K302 HP100 AERIAL LADDER

